

JJI-JOIST TECHNICAL BULLETIN

SUBJECT: JJI-Joist Roof Details

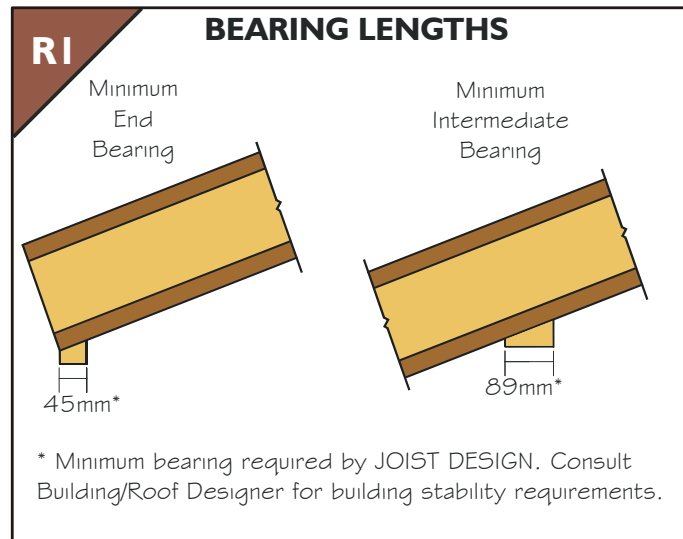
Bulletin Number:

Date Issued:

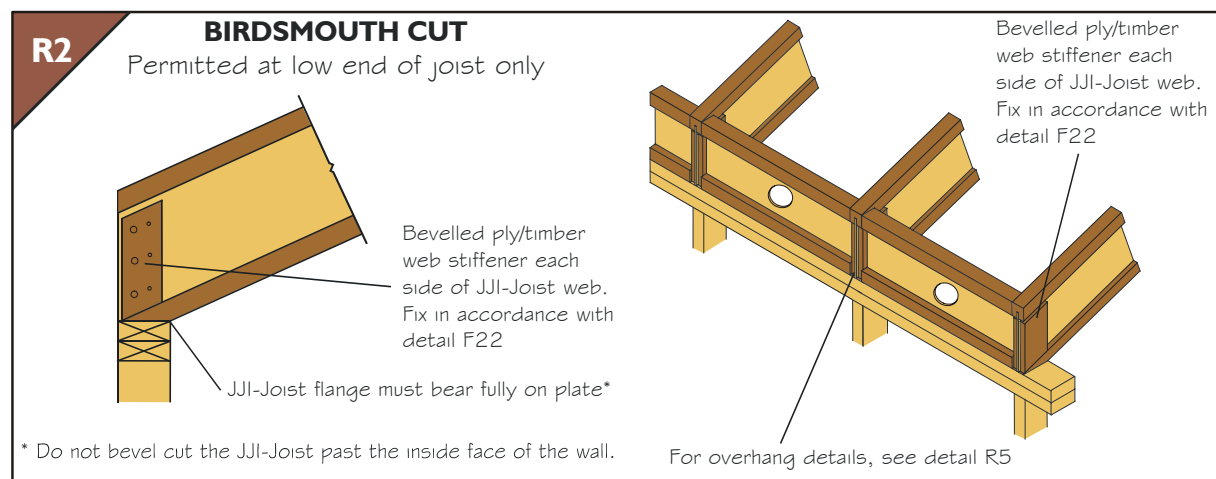
Sheet 1 of 6

19

02.06.2004



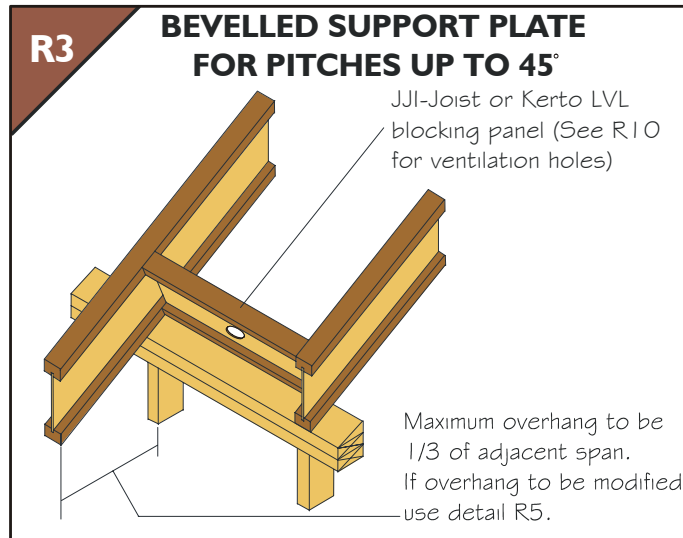
Detail R1 – Bearing Lengths



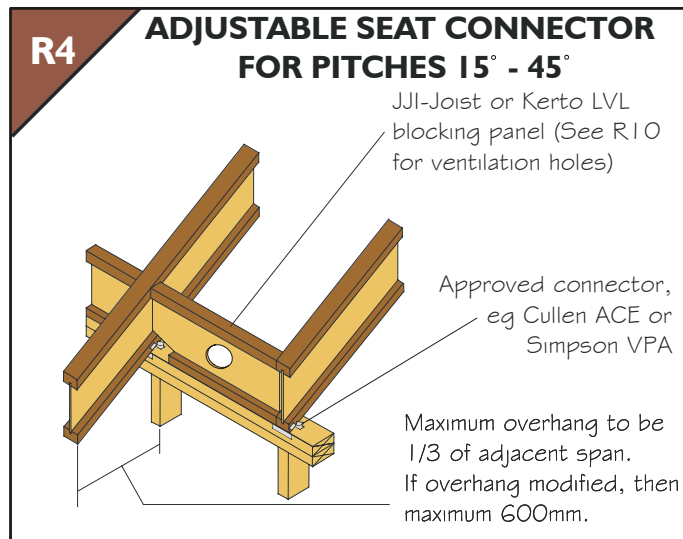
Detail R2 – Birdsmouth Cut

Reference Number: TB 19

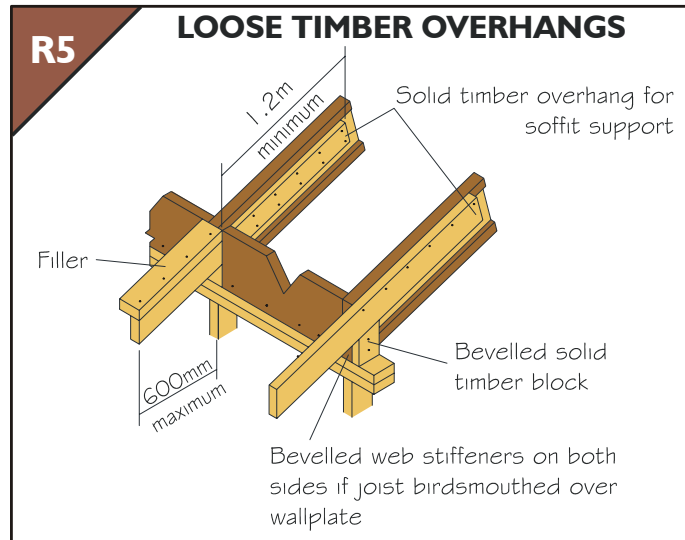
Issued By : - Kevin McKenzie B.Sc. (Hons)



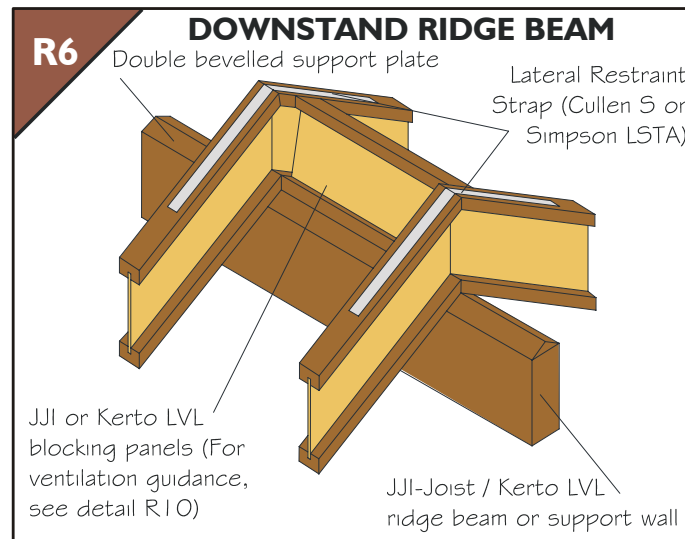
Detail R3 – Bevelled Support Plate for pitches up to 45°



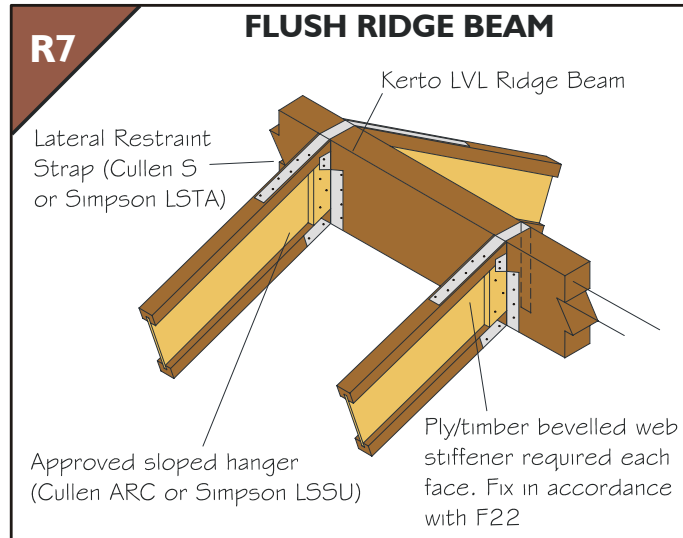
Detail R4 – Adjustable Seat Connector for pitches 15° to 45°



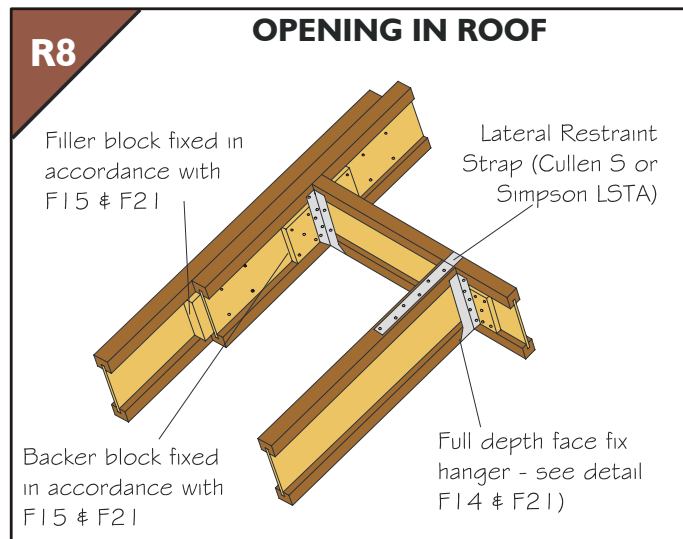
Detail R5 – Loose Timber overhang



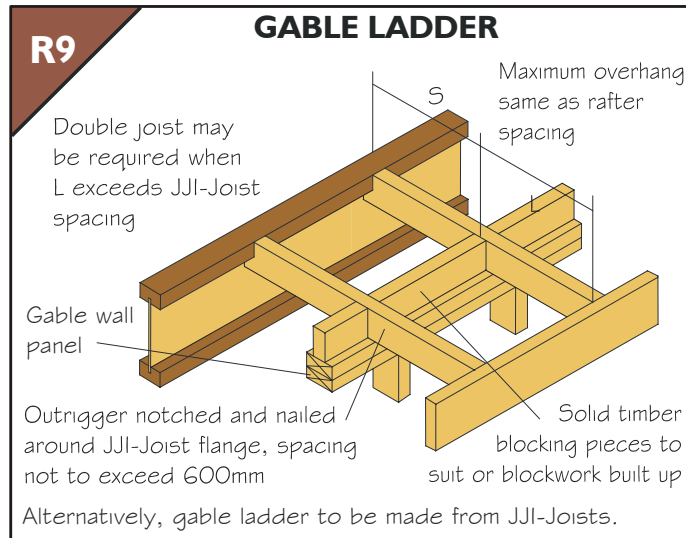
Detail R6 – Downstand Ridge Beam



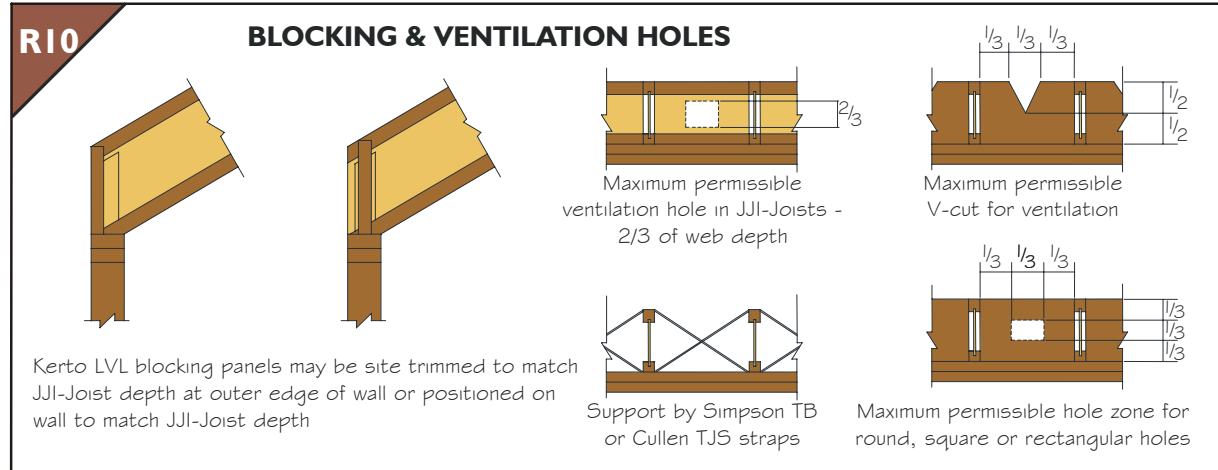
Detail R7 – Flush Ridge Beam



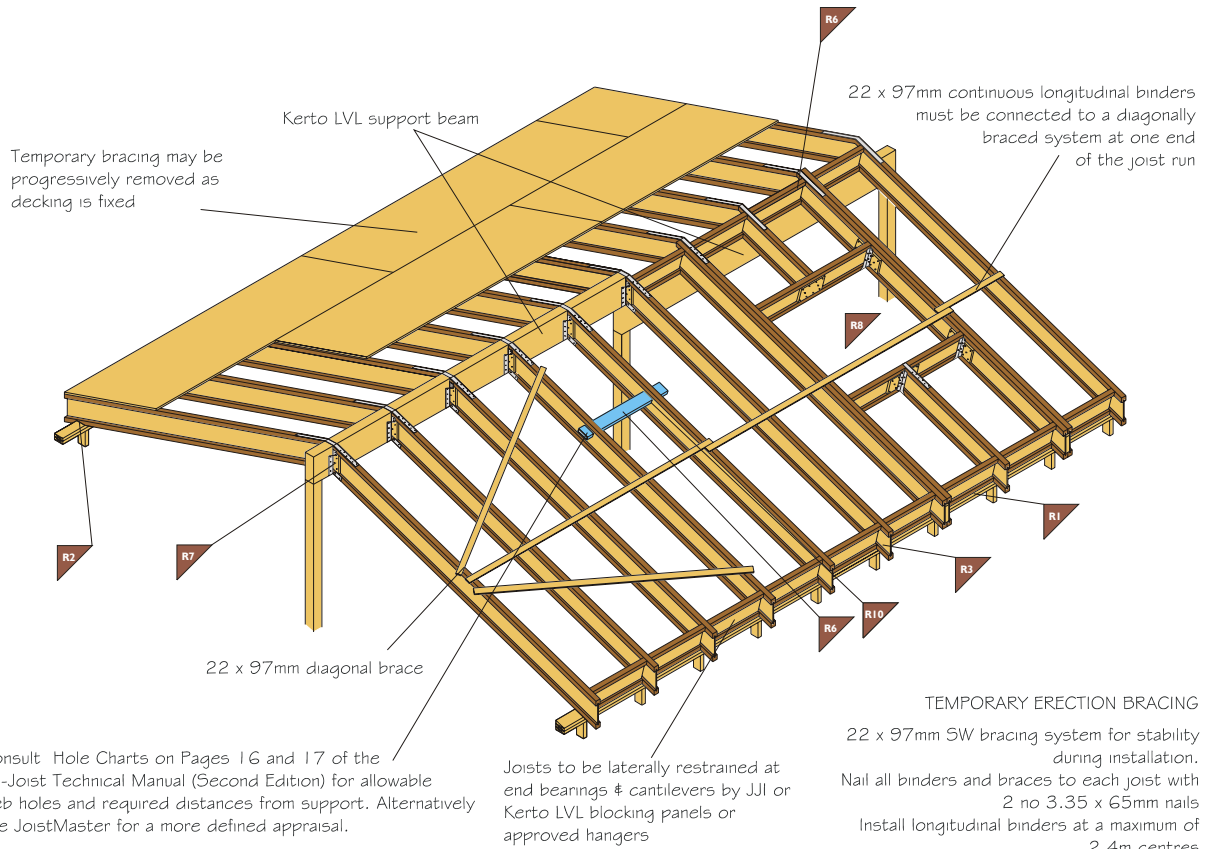
Detail R8 – Opening in Roof



Detail R9 – Gabel Ladder



Detail R10 – Blocking and Ventilation Holes



WARNING - UNBRACED JOISTS ARE HIGHLY UNSTABLE. DO NOT WALK ON JOISTS OR STORE CONSTRUCTION MATERIALS UNTIL THE ROOF IS FULLY BRACED

Temporary Bracing Details